



Concept

- Single-compartment spreader for automatic load of gritting materials
- Point of gravity is near to the axis
- Ideal visibility and working conditions
- Low construction, mountable on the 3 point front hydraulics of tractors
- Propelled hydraulically
- Adjustment of spreading diagram mechanically or electrically
- Suitable for abrasive and de-icing gritting materials
- Suitable for gritting materials with grain size of 10 mm / 0,4 in
- Grit is spread by discharge auger and spreader disc
- The spreader is controlled by a control panel in the driver's cab
- Spreading width is adjustable from 2 – 6 m / 6,6 – 19,7 ft (optional with roadspeed related spreading)



Control panel BASIC

- Progressive adjustment of the spreading amount and width via manual operation

Control panel TREND

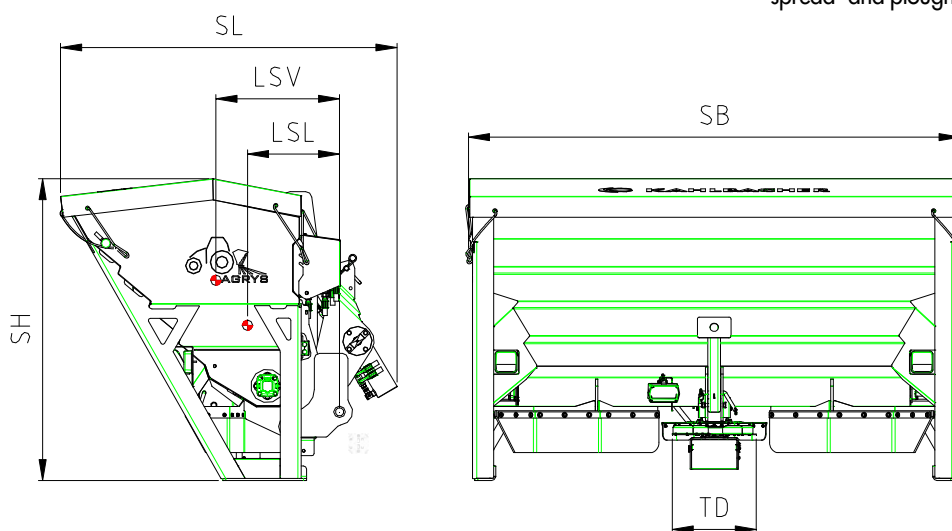
- Speed-dependent control, digital control panel mounted in the cabin
- Choice of 2 gritting materials (salt, gravel)
- Manual choice of spreading width, manual choice of spreading amount
- Switch „MAX“ (maximal spreading amount)

Control panel COMFORT

- Speed-dependent control, digital control panel mounted in the cabin
- Manual choice of spreading width, manual choice of spreading amount
- Illuminated control panel with large display
- Control of the spreading parameter with closed control circuit
- Spreading diagram (left/right spreading) is shown on the display as bar diagram
- Internal memory for spreading data collection, shown on the display
- RS 232 interface for GPS-GPRS-modules for transmission of spread- and plough-data as well as transmission of vehicle position

Technical data AGRYS		65	100	150
	Tank volume	0,7 m ³	1 m ³	1,5 m ³
SB	Spreader width	1740 mm 68,5 in	1740 mm 68,5 in	2340 mm 92,1 in
SL	Spreader length	1520 mm 59,8 in	1600 mm 63 in	
SH	Spreader height	1280 mm 50,4 in	1440 mm 56,7 in	
TD	Spreaderplate diameter	400 mm / 15,7 in		
LSL	Gravity distance empty	386 mm 15,1 in	406 mm 16 in	419 mm 16,5 in
LSV	Gravity distance full	517 mm 20,4 in	574 mm 22,6 in	584 mm 23 in
	Spray width	2 – 6 m / 6,6 – 19,7 ft		
	Spray amount salt	5 – 40 g/m ²		
	Spray amount grit	50 – 200 g/m ²		
	Weight* approx.	560 kg 1235 lb	630 kg 1389 lb	690 kg 1521 lb

*Weight depending on width, finish and mounting version



AGRYS-E1 / WZ 1177 / 02.2022 / Subject due to technical changes.

