



Concept foldable snow plough

- Especially designed for the requirements on highways and expressways
- Enlarged clearing width of 4,5 m at a swivelling angle range of 30°
- The auxiliary blade can be folded behind the 4 blade main plough
- Low weight at high strength
- Gentle snow removal with optimized snow runoff and low visibility impairment

Strong frame structure

- Sturdy lead frame in high steel and welding quality for long life

Overrunning protection system

- Immediate automatic reaction at obstacles
- Protection of plough blade by special PU lower link and maintenance-free retaining rubber elements for attachment to medium and heavy trucks

| Technical data ASP 450 | | 30° | 32° | 34° |
|------------------------|--------------------------|--------------------|--------------------|--------------------|
| BR | Clearing width 30° angle | 4550 mm / 179,1 in | 4455 mm / 175,4 in | 4355 mm / 171,5 in |
| BD | Passage width | 4701 mm / 185,1 in | 4603 mm / 181,2 in | 4500 mm / 177,2 in |
| BD1 | Scraping rail edge width | 3800 mm / 149,6 in | 3770 mm / 148,4 in | 3750 mm / 147,6 in |
| BS | Plough width | 5254 mm / 206,8 in | | |
| | Number of blades | 4 + 1 | | |
| BG | Pivoting angle | 5380 mm / 211,8 in | | |
| SW | Gravity distance | 30° / 32° / 34° | | |
| LS | Total length | 1039 mm / 40,9 in | | |
| LG | Plough height center | 1929 mm / 75,9 in | | |
| H | Plough height outer edge | 1063 mm / 41,9 in | | |
| AW | Angle clearing rail | 10° | | |
| | Weight* approx. | 1590 kg / 3505 lb | | |

*Weight depending on equipment and mounting

Optimized multiple-blade-design

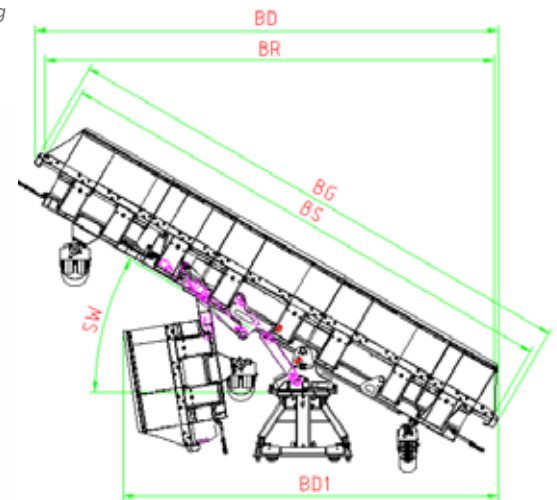
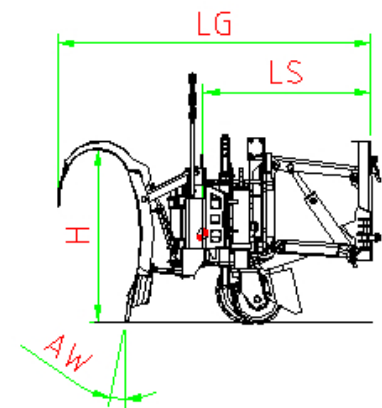
- Separate suspended blade segments ideally adjust to the street surface
- Scraping rail angle of 10° causes safe clearing
- The upper part of the blades is rolled forward, this effectively prevents the snow from being thrown over the blade edge onto the carrier vehicle

Advantages

- Hydraulic auxiliary blade with overload protection
- Snow clearing is also possible when the left blade is folded back
- Swivelling angle range between 30° – 34° can be chosen
- Reinforced castor wheels, modular construction, parallel lift

Additional equipment (optional)

- Slush rail (Polyurethan - scraping rail), combination rail, eco clearing rail, snow dust protector, LED side lights, protection light, rock protection, plough parking stand



ASP450-E / 1 / 02.2022 / WZ 1379 / Subject due to technical changes.

