



Concept

- Optimised light weight construction for clearing regional roads and city and municipal areas
- Multiple-blade elastic snow plough (HES 210-270 three blades/HES 290-310 four blades) with blade protection through special PU lower links for mounting on tractors, municipal carrier vehicles and trucks

Strong frame construction

- Maximum stability and durability due to closed ladder frame
- High grade steel and weld quality for long life

Override protection system

- Immediate automatic response to obstacles

- Maintenance-free special rubber elements return the plough back to the defined clearing position after passing an obstacle
- Overload protection of the pivoting side through a swing damping valve

Optimized multiple-blade-design

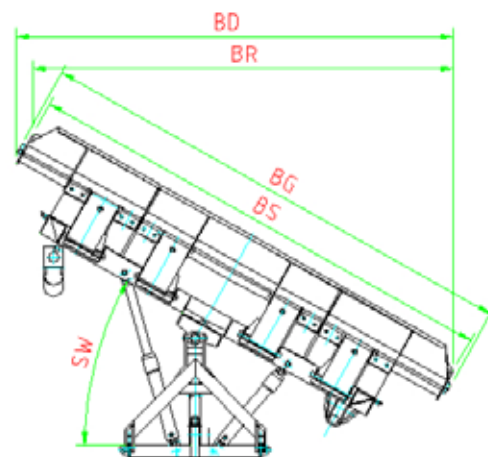
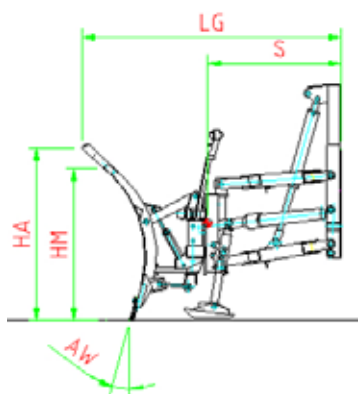
- Effective power-saving snow removal
- Higher visibility by keeping the windscreen free of snow
- Precise blade control through patented lateral load struts

Additional equipment (optional)

- Castor wheels, gliding skids, snow dust protector, snow deflector, plough parking stand, LED side lights, plough blade raised to the left/right, eco-clearing rail (retrofitable), as well as various scraper rails, ensure customer specific fitment of the snow plough for every operational purpose.

Technical Data HES		250	270
BR	Clearing width 30° angle	2470 mm / 97,3 in	2685 mm / 105,7 in
BD	Passage width	2610 mm / 102,8 in	2810 mm / 110,6 in
BS	Clearing rail edge width	2840 mm / 111,8 in	3100 mm / 122 in
BG	Plough width	2900 mm / 114,7 in	3160 mm / 124,4 in
	Number of blades	3	3
SW	Pivoting angle	30° / 34°	
S	Gravity distance	930 mm / 36,6 in	980 mm / 38,6 in
LG	Total length	1525 mm / 60 in	
HM	Plough height center	1000 mm / 39,4 in	
HA	Plough height outer edge	1125 mm / 44,3 in	1150 mm / 45,3 in
AW	Angle clearing rail	15°	
	Weight* approx.	700 kg / 1543 lb	750 kg / 1653 lb

*Weight depending on equipment and mounting



HES_E/1 / 02.2022 / WZ 1379 / Subject to technical changes.

